

Version	2.0	Date	8/17/23
Prepared By	JC		

**PRODUCT SPECIFICATION**

<b>Category</b>	Slim Area Light
<b>Item Number</b>	9622
<b>Stock Code</b>	FXSAL75SW/8CCT3/WH/T3
<b>Mounting</b>	Pole Mount/ Slip Fitter/ Yoke Mount/ Wall Mount
<b>Housing Color</b>	White (RAL#9003)



ELECTRICAL CHARACTERISTICS			
Rated Wattage (W)	25 / 50 / 75	Replacement Wattage (W)	100-400
Tested Wattage (W)	-		
Input Voltage (V)	120-277V	Surge Protect Level	10KV
Voltage Frequency (Hz)	50/60	Dimmable	0-10V
Input Current (A)	0.68	AUX (12V) Line	Yes
Power Factor	>0.9		
THD	<20%		

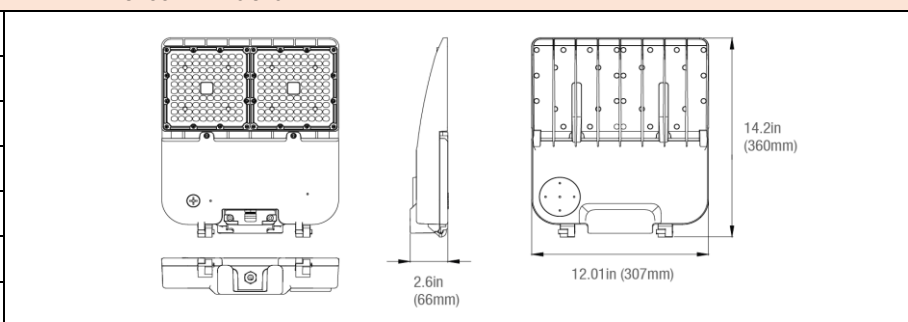
PHOTOMETRIC CHARACTERISTICS			
Lumen (lm)	3,500	CCT (K)	3CCT (30/40/50K)
	7,000 10,555		
Efficacy (lm/w)	140	Beam Angle (°)	Type 3
CRI	>80		

GENERAL CHARACTERISTICS	
Operating Temperature (°F)	-40°F ~ 122°
Storage Temperature (°F)	-40°F ~ 140°F
IP Rating	IP66
IK Rating	IK08
Rated Life (Hrs)	50,000
Warranty (Yrs)	7

ACCESSORIES		
Item #	Stock Code	Description
P10371	SEN-BRI619	PIR Motion/Photocell 0-10V Internal 12V Low Voltage for 347/480V
P10316	SEN-BRI-RC100	Remote Programmer for P10371
K141030	REC3PLK/PHO	Twist-Lock Photocell and Receptacle Mount 120-277V 3 Prong

**PRODUCT DIMENSIONS**

Width- in / (mm)	12.01"      307
Height- in / (mm)	2.60"        66
Depth- in / (mm)	14.20"      360
EPA (ft²)	0.212 ft² (@ 0 deg)
Weight (lbs)	8
Mounting Height (ft)	10~15
Cable Length (ft)	1.64



CERTIFICATIONS			
UL/ETL	ETL/cETL	CEC	
NSF/ETL Sanitation		JA8	
Energy Star		FCC	✓
DLC	5.1 Premium	RoHs	✓

DOCUMENTS			
LM79	✓	IES File	✓
LM80	✓	Dimmer List	

**COMMENTS**

--